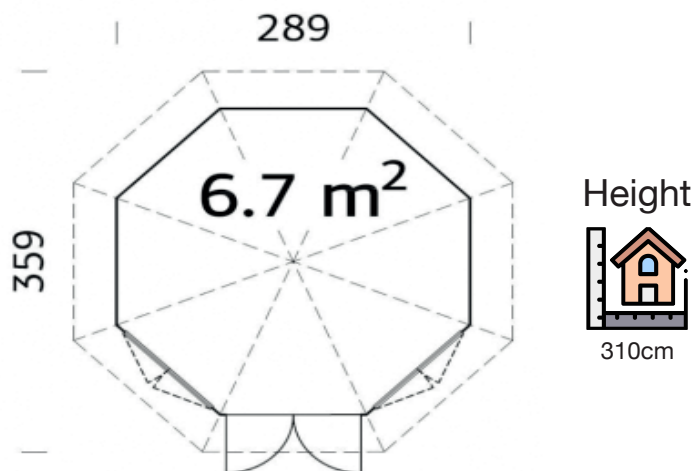


SAN DIEGO 1



This San Diego 1 Octagonal garden log cabin combines design with looks to produce a stunning building. The San Diego 1 log cabin has ready-made wall and roof panels which means assembly is fast once delivered.



289cm



28mm



16.4m³



6.7m²



102 x 176cm



96 x 98 (2)cm



19mm



16mm



N/A

FULL SPECIFICATION

CABIN SIZE:	289/359cm x 310cm
WALL THICKNESS:	28mm
VOLUME:	16.4m ³
AREA:	6.7m ²
DOOR OPENING:	102 x 176cm
WINDOW OPENING:	96 x 98 (2)cm
FLOORS BOARDS:	19mm
ROOF BOARDS:	16mm
ROOF OVERHANG:	N/A
UNDER PLANNING:	No

Wood Type:	Nordic Spruce
Chalet Cut:	N/A
Window Type:	Double Glass
Window / Door Feature:	N/A
Braces:	Wind Braces
Roof Boards With:	Boards With Tongue & Groove
Guarantee:	5 Years
Treated Foundation Joists:	Yes
IDEAL FOR:	Pavillion Office Study Summer House

FROM £2,592

FINANCE FROM £26.12PCM

